

Travel.
Explore.
Experience.



2024 Collection

RAPIDO
GROUP

-FLEURETTE-



FLORIUM



Everyone has their own dream journey.

Two brands, two styles, delivering thrilling journeys.



ENJOY A UNIQUE EXPERIENCE WITH **-FLEURETTE-**

Charm, authenticity and elegance

For the past 56 years, Fleurette has been winning the hearts of the many motorhome enthusiasts choosing Made in France excellence. Fleurette models offer unrivalled sophistication and elegance. Their cosy, inviting interiors perfectly adapt to your lifestyle and driving style: from ultra compact low-profile models to ultra spacious A-Class ones. The many details and finishes, such as luxury wooden furniture, practical layouts and unparalleled brightly-lit interiors with LED lighting, make your Fleurette a unique, enjoyable living space.

FLORIUM
by **-FLEURETTE-**



Injecting emotion

into every journey.

Made in France

By Fleurette Constructeur

- Over 55 years of history **04**
- Polyester & joinery know-how **06**
- Assembly method, insulation and durability **07**

Authentic & Elegant **08**

- Migrateur range **10**
- Magister range **12**
- Discover range **14**

Design & Comfort **16**

- Baxter range **18**
- Mayflower range **20**
- Winchester range **22**

Limited edition 2024 **24**

Millenium

Customising your motorhome

- Specs **28**
- Upholstery **32**
- Overview of layouts **34**

GO EXPLORE STUNNING LANDSCAPES WITH **FLORIUM**

Design and great comfort

Stepping aboard a Florium motorhome, you will enjoy the harmonious blend of colours, curved furniture, generous spaces and inbuilt technology. The clever use of all the spaces, meticulous and sophisticated design of each piece, and included fittings will make you feel at home and let you fully enjoy your trips around the world. It is that inviting yet modern atmosphere that makes every getaway in your Florium an exceptional journey.

www.fleurette-florium.fr/en/
www.fleurette-constructeur.fr/en/





FLEURETTE CONSTRUCTEUR

Responsible Choices, *French manufacturing.*

«Continuously looking to the future, our teams carry on our company's 56 years of «Made in France» craftsmanship, from our first Super folding caravans to our new limited edition Millenium models.» Our commitment has not changed since we started: "Creating high quality, premium recreational vehicles designed for the onboard wellbeing of our motorhome users." And we have delivered on our promise for over 56 years through our expertise in cutting-edge techniques combined with our hand-crafting skills, to deliver products that meet the highest expectations. Our experience and customer focus have enabled us to adapt to changing behaviours and nurture the passion for motorhomes that excites us as much as our customers.

We are committed to tackling environmental and financial challenges by improving our production methods. Our environmental impact, local production, choice of materials, energy savings and more form part of our key priorities.

+ 2,000
hours of training
every year
for our employees

100% of our vehicles are
fitted with EURO 6D
engines to reduce their
environmental impact.

94% of our suppliers
of European plywood hold
PEFC certification,
which guarantees sustainable
forest management.

We aim to work with
local partners
within a radius of **20 km**
of our sites in order to support the
regional and national economy and
reduce our carbon footprint.

Over 2000 poplars replanted every year as part of our
involvement in a reforestation project in the heart of the Marais Poitevin
regional park.



Since 2005 FLEURETTE CONSTRUCTEUR belongs to the European group Rapido, a leader in the today's market for motorhomes, mobile homes, fitted vans and vans with elevating roofs. We share with the group the values of a family business: proximity, quality and innovation for French customers and their European neighbours.

STRIVING TO DEVELOP WITHIN A DURABLE, HEALTHY ECOSYSTEM

Our commitment for more than 56 years.

REDUCING OUR ENVIRONMENTAL IMPACT

We are committed to minimising the impact of our business on the planet through: our waste processing policy (from suppliers to recycling); a study on introducing compactors; and support for a local association that creates hives to produce organic, healthy honey.

In 2023, Fleurette Constructeur is supporting a poplar reforestation project in the heart of the Marais Poitevin regional park. Through the “1 vehicle purchased = 1 tree planted” campaign, we are raising awareness of current and future issues in the French forestry sector.

SUPPORTING THE LOCAL ECONOMY

We prefer local partners in order to support the regional and national economy, and help minimise the carbon footprint created by transporting our goods.

As part of the French Fab, which promotes French industries abroad, it is important to us that we choose suppliers who share our values and environmental concerns, and are involved in our local economy.



MODERN, ECO-FRIENDLY MANUFACTURING

This vision came into play when we extended our buildings. When we built our new plants in Benet in 2018 and 2023, numerous measures were implemented in terms of heating, lighting and water. Everything was done to protect natural resources.

MORE ENERGY-EFFICIENT VEHICLES

- 100% LED cell lighting for a 10-fold reduction in energy consumption, which can be which is automated to adjust consumption as much as possible.
- Shower head with water saver for more autonomy.
- Polyester front and roof in our motorhomes for better insulation.
- Battery management system to monitor the remaining autonomy of the cell battery.
- Optimised dust extraction equipment for healthy air and reduced CO2 emissions into the atmosphere.



RESPONSIBLE EMPLOYER & TAILOR-MADE TRAINING

We are committed to the sustainability of employment and work every day to include and develop the skills of our teams. The company is training a new generation of employees to meet the challenges of the future: innovation, transfer of know-how, etc. Recruiting alternates and setting up partnerships with schools enable us to promote our jobs and thus train young talent.

In 2023, we created a custom training course for manufacturing in partnership with the Compagnons du Devoir.



Choose Fleurette Constructeur: the specialist in **PREMIUM FRENCH MOTORHOMES**

FLEURETTE CONSTRUCTEUR has always drawn on its meticulous manufacturing work to offer elegant motorhomes with sophisticated interiors, where a blend of the traditional, the modern and the creative make a harmonious whole. FLEURETTE CONSTRUCTEUR is one of the few companies to have its own polyester workshop and to manufacture all of its furniture and composite parts. “We have an eye for detail and high standards in terms of quality and finish. That is why we wanted our employees’ skills to cover all areas, from design to assembly.” Our teams hand down this unique know-how and keenly use those skills to satisfy all of our Florium by Fleurette motorhome enthusiasts.

TWO BRANDS AND TWO STYLES FOR MOTORHOME TRAVEL

Florium by Fleurette has its longstanding signature charm with welcoming woodwork and cosy styles.

Florium has its bright styles and decisively modern touch.

MODELS DESIGNED BY OUR DESIGN OFFICE

Using high-performance design software, our developers strive every year to bring you new layouts and ingenious designs that match your lifestyle and deliver great storage spaces.



LEARN ABOUT OUR EXPERTISE
AT FLEURETTE-CONSTRUCTEUR.FR/EN/



Joinery **FITTED**



Today, combining industrial performance, digital order processing and artisanal craftsmanship, the joinery team draws on its skills and a wide variety of processes, working together to relentlessly enrich the layouts of our motorhomes.

Two woods, two styles:

- **Walnut** for Discover, Magister and Migrateur.
- **Cedar** for Baxter, Mayflower and Winchester.



100% REINFORCED POLYESTER bodywork motorhomes



Today, FLEURETTE CONSTRUCTEUR is the only manufacturer in Europe with 100% polyester bodywork vehicles, which are produced entirely in our factory in the Vendée region.

QUALITY, DURABLE RAW MATERIALS.

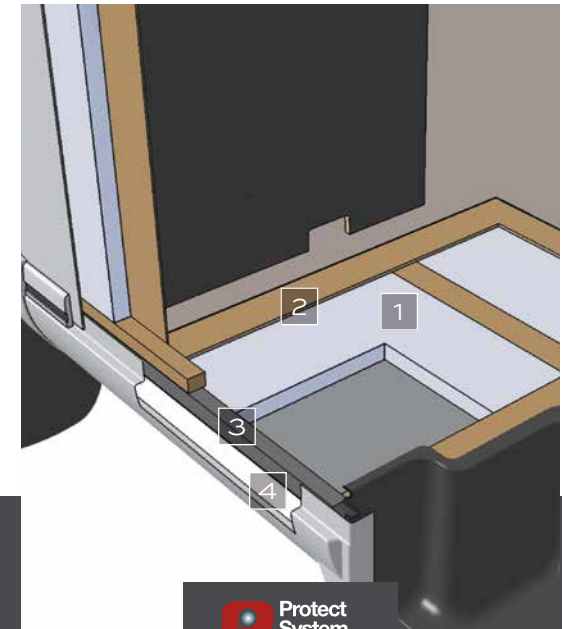
- 1/ The high-tech gel coat.
- 2/ The fiberglass lining.
- 3/ The resin matrix.

Recovery System, The only assembly method OF ITS KIND IN EUROPE



- The hood, roof and rear are attached/ affixed without drilling, by covering the sides.
- Wraparound panoramic wideangle windscreen, increased visibility for your safety.
- Lowered full-width polyester storage area on chassis extension. It is padded and heated for greater insulation.
- Flush bay improving the thermal insulation and security of your vehicle (cannot be removed from the outside).

Protect System, OPTIMAL DURABILITY and INSULATION



The insulating XPS Styrofoam (30 mm of Styrofoam either side and in the floor) is renowned for its great thermal and acoustic insulating properties, water-resistance and lightness.

The fibre composite/wood combination strengthens the structure of the walls and floor, combining the long-lasting properties of the composite with the exceptional solidity of solid wood.

- 1/ Styrofoam
- 2/ Wooden strip
- 3/ Polyurethane strip
- 4/ Polyester

FLORIUM
by FLEURETTE

Escape
to find
yourself.



MIGRATEUR

RANGE

THE ULTRA-COMPACT
LOW-PROFILE

60LG

Left-hand side bed + Living room
with L-shaped bench seat

👤x4 / 📺x3 / 🍷x4

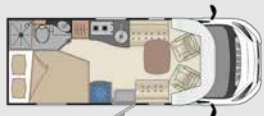


64LDF

Pop model option

Right-hand side bed
+ Face-to-face living room

👤x4 / 📺x3 / 🍷x4



65LJG

Twin beds over garage + Living
room with L-shaped bench seat

👤x4 / 📺x3 / 🍷x4



TV not supplied

MAGISTER

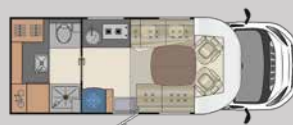
RANGE

THE ULTRA-SPACIOUS
LOW-PROFILE

67LO

Lounge with storage area
+ 150 cm electric drop-down
double bed

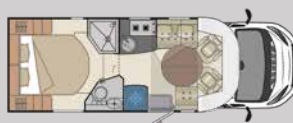
👤x4/3 / 📺x4 / 🍷x6



70LMF

Central bed + Face-to-face living
room + Electric drop-down single
bed (Option)

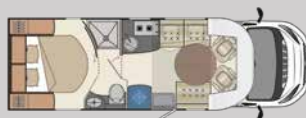
👤x4/3 / 📺x3 4 optional / 🍷x5



74LMF

Central bed + Face-to-face living
room + Electric drop-down double
bed (Option)

👤x4/3 / 📺x3 4 optional / 🍷x5



TV not supplied

DISCOVER

RANGE

THE ULTRA-SPACIOUS
LOW-PROFILE

71LMF

Central bed + Face-to-face
living room

👤x4/3 / 📺x4 / 🍷x4



74LJG

Twin beds over
garage + Face-to-face
living room

👤x3/4 / 📺x4 / 🍷x6



75LMF

Height-adjustable
central bed + Face-to-face
living room

👤x4/3 / 📺x4 / 🍷x6



TV not supplied



1



VIRTUALLY STEP
INSIDE OUR
MOTORHOMES
360° TOUR



1 / Living room 60LG -
beige / starlight upholstery
2 / Bathroom 65LJG

3 / Kitchen 65LJG
4 / Living room 65LJG -
beige / perle upholstery

MIGRATEUR

RANGE





1

 VIRTUALLY STEP
INSIDE OUR
MOTORHOMES
360° TOUR



2



3

MIGRATEUR MAGISTER DISCOVER

1 / Living room 67LO - beige / malta upholstery

2 / Bedroom 74LMF

3 / Bathroom 67LO

MAGISTER

RANGE





1



VIRTUALLY STEP
INSIDE OUR
MOTORHOMES
360° TOUR



1 / Living room 75LMF - Ivory Emocuir upholstery (option)
2 / Bedroom 75LMF

3 / Bathroom 75LMF
4 / Bedroom 74LJG
5 / Kitchen 75LMF

DISCOVER

RANGE



FLORIUM

Reconnect
with the basics
to travel further afield.



BAXTER RANGE

THE COMPACT, FASHIONABLE
LOW-PROFILE

60LG

Left-hand side bed + Living room
with L-shaped bench seat

👤 x4 / 📺 x3 / 🍷 x4



64LDF

Pop model option

Right-hand side bed
+ Face-to-face living room

👤 x4 / 📺 x3 / 🍷 x4



65LJG

Twin beds over garage + Living
room with L-shaped bench seat

👤 x4 / 📺 x3 / 🍷 x4



TV not supplied

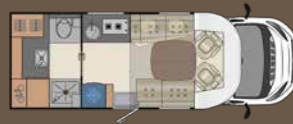
MAYFLOWER RANGE

THE HAUTE-COUTURE
LOW-PROFILE

67LO

Lounge with storage area
+ 150 cm electric drop-down
double bed

👤 x4/3 / 📺 x4 / 🍷 x6



70LMF

Central bed + Face-to-face living
room + Electric drop-down single
bed (Option)

👤 x4/3 / 📺 x3 4 optional / 🍷 x5



74LMF

Central bed + Face-to-face living
room + Electric drop-down double
bed (Option)

👤 x4/3 / 📺 x3 4 optional / 🍷 x5



TV not supplied

WINCESTER RANGE

PREMIUM A-CLASS

71LMF

Central bed + Face-to-face
living room

👤 x4/3 / 📺 x4 / 🍷 x4



74LJG

Twin beds over
garage + Face-to-face
living room

👤 x3/4 / 📺 x4 / 🍷 x6



75LMF

Height-adjustable
central bed + Face-to-face
living room

👤 x4/3 / 📺 x4 / 🍷 x6



TV not supplied



1



VIRTUALLY STEP
INSIDE OUR
MOTORHOMES
360° TOUR



2



3



4



5



6



POP model option - only on 64 LDF

- 1 / Living room 64LDF - beige/etna upholstery
- 2 / Kitchen 64LDF - Pop model option
- 3 / Bedroom 60LG
- 4 / Bathroom 65LJG
- 5 / Storage area 65LJG
- 6 / Wardrobe 65LJG

BAXTER

RANGE





1



VIRTUALLY STEP
INSIDE OUR
MOTORHOMES
360° TOUR



2



3



4



5

1 / Living room 70LMF -
Espinassou upholstery
2 / Bedroom 74LMF

3 / Bathroom 74LMF
4 / Bathroom 67LO
5 / Drop-down bed 67LO

MAYFLOWER

RANGE



1



VIRTUALLY STEP
INSIDE OUR
MOTORHOMES
360° TOUR



1 / Living room 75LMF -
Espinassou
upholstery

2 / Bedroom 74LJG

3 / Front Drop-down bed
74LJG

4 / Entrance handle

5 / Large storage area
on 75LMF
(optional on 71LMF)

WINCESTER

RANGE



FLORIUM
MILLENIUM EDITION



Partnering
all your
interests.

#RUGBY2023



MILLENIUM

This Millenium edition Florium motorhome is a true gem for fans of rugby and sports in general. With its rugby-related decoration, this 2024 collection shines the spotlight on the sport's major upcoming events, with the Rugby World Cup in France followed by the Olympic Games in Paris. A subtle blend of elegance and sport!



MAYFLOWER RANGE

THE HAUTE-COUTURE LOW-PROFILE

WINCESTER RANGE

PREMIUM A-CLASS

70LMF

Central bed + Face-to-face living room + Electric drop-down single bed (Option)

👤x4/3 / 🛏️x3 4 optional / 🍷x5



74LMF

Central bed + Face-to-face living room + Electric drop-down double bed (Option)

👤x4/3 / 🛏️x3 4 optional / 🍷x5



TV not supplied

71LMF

Central bed + Face-to-face living room

👤x4/3 / 🛏️x4 / 🍷x4



74LJG

Twin beds over garage + Face-to-face living room

👤x3/4 / 🛏️x4 / 🍷x6



75LMF

Height-adjustable central bed + Face-to-face living room

👤x4/3 / 🛏️x4 / 🍷x6



TV not supplied





1



VIRTUALLY STEP
INSIDE OUR
MOTORHOMES
360° TOUR



1 / Living room 74LMF - Espinassou upholstery

2 / Bedroom 75LMF

3 / Kitchen 74LMF



SPECIFICATIONS

LOW-PROFILES

A-CLASSES

DIMENSIONS AND WEIGHT	MIGRATEUR / BAXTER			MAGISTER / MAYFLOWER			DISCOVER / WINCESTER		
	60LG	64LDF	65LJG	67LO	70LMF	74LMF	71LMF	74LJG	75LMF
Overall Length (m) +/- 5 %	5,99	6,47	6,59	6,77	6,97	7,38	7,19	7,49	7,49
Overall width (m) without rear view mirrors opened +/- 5 %	2,23	2,23	2,23	2,34	2,34	2,34	2,30	2,30	2,30
Overall Height (m) +/- 5 %	2,70	2,70	2,70	2,78	2,78 on Magister 2,82 on Mayflower Millenium	2,78 on Magister 2,82 on Mayflower Millenium	2,88	2,88	2,88
MTPLM (Gross vehicle weight, kg)	3500	3500	3500	3500	3500	3500	3500	3500	3500
MIRO (Unladen weight, kg) +/- 5 %	2834	2876	2888	3083	3078	3098	3086	3180	3134
Travel places	4	4	4	4 / 3 depending on the configuration	4 / 3 depending on the configuration	4 / 3 depending on the configuration	4 / 3 depending on the configuration	3 / 4 depending on the configuration	4 / 3 depending on the configuration
Eating places	4	4	4	6	5	5	4	6	6
Sleeping places	3	3 / 5 (O) on POP	3	4	3 (S) / 4 (O)	3 (S) / 4 (O)	4	4	4

* Weight and sizes (estimated basic configuration) subject to +/-5% tolerance / 16" rims = + 4 cm

**With 1 driver, 90% fresh water, 90% gas (1 bottle), 90% diesel and equipment.

***Maximum number of registered (driving) seats in the light vehicle version; subject to change according to configuration. Please contact your dealer for further information.

SERVICES AND AUTONOMY

SERVICES AND AUTONOMY	MIGRATEUR / BAXTER			MAGISTER / MAYFLOWER			DISCOVER / WINCESTER		
	60LG	64LDF	65LJG	67LO	70LMF	74LMF	71LMF	74LJG	75LMF
Gas locker for 1 bottle 13 KG	S	-	-	-	-	-	-	-	-
Gas locker for 2 bottles 2 X 13 KG	-	S	S	S	S	S	S	S	S
DUO CONTROL CS enables you to travel while using the gas heating	O	O	O	O	O	O	S	S	S
Fresh water frostprotected (L)	120	120	120	120	120 / 20*	120 / 20*	205 / 20*	205 / 20*	205 / 20*
Waste water frostprotected (L)	119	119	119	119	119	119	125	125	125
Manual waste water drainage system	S	S	S	S	S	S	-	-	-
Electrical waste water drainage system	-	-	-	-	-	-	S	S	S
Truma Combi 4 with 10 L boiler	S	S	S	S	S	-	-	-	-
Truma Combi 4 ED with 10 L boiler	O	-	-	-	-	-	-	-	-
Truma Combi 6 with 10 L boiler	-	-	-	-	-	S except Mayflower Millenium	S except Winchester Millenium	S except Winchester Millenium	S except Winchester Millenium
Truma Combi EH with 10 L boiler	O	O	O	O	(S) on Mayflower Millenium (O) on Magister	(S) on Mayflower Millenium (O) on Magister	(S) on Winchester (O) on Discover	(S) on Winchester (O) on Discover	(S) on Winchester (O) on Discover
Pre-wiring for TV and loud speakers	S	S	S	S	S	S	S	S	S
Pre-wiring for reversing camera	O	O	O	O	O	O	S	S	S
220 V socket - 12 V socket - TV socket	S	S	S	S	S	S	S	S	S
100 Ah semi stationary auxiliary battery	1	1	1	1	1	1	1	1	1
Charger transformer with separation coupler	S	S	S	S	S	S	S	S	S
LCD control panel (water, battery, inside and outside temperature)	S	S	S	S	S	S	S	S	S
LED lighting above the cell door	S	S	S	S	S	S	S	S	S
USB port	S	S	S	S	S	S	S	S	S

*20-litre calibration valve: to minimise the effect on the original payload

LOW-PROFILES

A-CLASSES

STANDARD BASE	MIGRATEUR / BAXTER			MAGISTER / MAYFLOWER			DISCOVER / WINCESTER		
	60LG	64LDF	65LJG	67LO	70LMF	74LMF	71LMF	74LJG	75LMF
Fiat®	S	S	S	S	S	S	S	S	S
Peugeot®	O	O	O	O	O	O	-	-	-
AL-KO chassis	-	-	-	-	-	-	S	S	S
Tax power (HP) - France ONLY	7	7	7	7	7	7	7	7	7
Maximum power (Kw CEE)	85	85	85	103	103	103	103	103	103
DIN power (H.P.)	140	140	140	140	140	140	140	140	140
Maximum torque (Nm)	350	350	350	350	350	350	350	350	350
Gearbox (number of gears)	6	6	6	6	6	6	6	6	6
Total admissible vehicle weight (Kg)	0 / 5500 depending on the options	0 / 5500 depending on the options	0 / 5500 depending on the options	0 / 5500 depending on the options	0 / 5500 depending on the options	0 / 5500 depending on the options	0 / 5500 depending on the options	0 / 5500 depending on the options	0 / 5500 depending on the options
Wheelbase (mm)	3450	3800	3800	4035	4035	4035	4035	4300	4300
Front overhang (mm)	948	948	948	948	948	948	960	960	960
Back overhang (mm)	1590	1728	1848	1789	1989	2399	2200	2235	2235
Frame Fiat® : Fuel tank capacity (L)	75 / 19	75 / 19	75 / 19	75 / 19	75 / 19	75 / 19	75 / 19	75 / 19	75 / 19
Frame Peugeot® : Fuel tank capacity (L)	90 / 22	90 / 22	90 / 22	90 / 22	90 / 22	-	-	-	-
Eco Pack	S	S	S	S	S	S	S	S	S
Speed regulator and cruise control	S	S	S	S	S	S	S	S	S
Cab air conditioning	S	S	S	S	S	S	S	S	S
Electric windows	S	S	S	S	S	S	S	S	S
Electric side mirrors	O	O	O	O	O	O	S	S	S
Tinted windscreen and windows	S	S	S	S	S	S	S	S	S
Remote controlled central locking (including cell door)	S	S	S	S	S	S	S	S	S
Driver's airbag	S	S	S	S	S	S	S	S	S
SRA immobiliser system	S	S	S	S	S	S	S	S	S
ABS braking	S	S	S	S	S	S	S	S	S
Radio CD-MP3-USB Bluetooth-DAB+	O	O	O	O	O	O	-	-	-
Multimedia - Double Din screen with wide angle rear view camera - USB - Bluetooth - DAB+.	-	-	-	-	-	-	S	S	S
Rearview camera	O	O	O	O	O	O	O	O	O
Led front lights	-	-	-	-	-	-	S	S	S
Captain Chair swivelling driver's and passenger chair with 2 armrests	S	S	S	S	S	S	S	S	S
Cab seatcovers to match cabin trim	S	S	S	S	S	S	S	S	S
Fitted carpet in the cab	S	S	S	S	S	S	S	S	S
Puncture repair kit	S	S	S	S	S	S	S	S	S
Alloy wheels	O	O	O	O	(S) on Mayflower Millenium (O) on Magister	(S) on Mayflower Millenium (O) on Magister	S	S	S

LOW-PROFILES

A-CLASSES

PACKS

Comfort Pack : Hartal cell door with flyscreen, Remis front windscreen

Optimum Pack : Alde central heating, Heavy chassis 40H, engine Fiat® 2.2 Multijet 180 HP

Pack Techn'home : Converter 2000w, Nespresso coffee machine, 1 Lithium battery 150Ah, dimmer switch

Hight Navision Pack: Pioneer multimedia GPS + reversing camera

MIGRATEUR / BAXTER

60LG	64LDF	65LJG
○	○	○
-	-	-
-	-	-
○	○	○

MAGISTER / MAYFLOWER

67LO	70LMF	74LMF
○	○	○
-	-	-
-	-	-
○	○	○

DISCOVER / WINCESTER

71LMF	74LJG	75LMF
-	-	-
-	○	○
○	○	○
○	○	○

ENGINES

Chassis Peugeot® 140 HP

Chassis Fiat® 140 HP

Chassis Fiat® 140 HP Automatic gearbox

Chassis Peugeot® 165 HP

Chassis Fiat® : 180 HP

Chassis Fiat® : 180 HP Automatic gearbox

MIGRATEUR / BAXTER

60LG	64LDF	65LJG
○	○	○
S	S	S
○	○	○
○	○	○
-	-	-
-	○	○

MAGISTER / MAYFLOWER

67LO	70LMF	74LMF
○	○	○
S	S	S
○	○	○
○	○	○
○	○	○
○	○	○

DISCOVER / WINCESTER

71LMF	74LJG	75LMF
-	-	-
S	S	S
○	○	○
-	-	-
○	○	○
○	○	○

CELL EQUIPMENTS

145 L AES refrigerator with frozen food compartment 25L

Extractor hood with side extraction

Stainless steel 2-burner hob with glass cover 2 x 1500W

Stainless steel

Kitchen mixer tap

Central table with extension

Bathroom with shower cabinet

Brass-chromed washbasin and shower

Telescopic towel rail

Curtain panels, nettings, bed cover, tartan rug on middle bed only

Opening, double glazed windows with anti UV-treatment

MIGRATEUR / BAXTER

60LG	64LDF	65LJG
S	S	S
○	○	○
S	S	S
S	S	S
S	S	S
-	-	-
S	S	S
S	S	S
S	S	S
S	S	S
○	○	○
S	S	S

MAGISTER / MAYFLOWER

67LO	70LMF	74LMF
S	S	S
○	○	○
S	S	S
S	S	S
S	S	S
S	S	S
S	S	S
S	S	S
S	S	S
S	S	S
○	○	○
S	S	S

DISCOVER / WINCESTER

71LMF	74LJG	75LMF
S	S	S
S	S	S
S	S	S
S	S	S
S	S	S
S	S	S
S	S	S
S	S	S
S	S	S
S	S	S
S	S	S
S	S	S
S	S	S

LOW-PROFILES

A-CLASSES

CELL EQUIPMENTS

	MIGRATEUR / BAXTER			MAGISTER / MAYFLOWER			DISCOVER / WINCESTER		
	60LG	64LDF	65LJG	67LO	70LMF	74LMF	71LMF	74LJG	75LMF
Blind and flyscreen on all the windows	S	S	S	S	S	S	S	S	S
Privacy store	-	-	-	-	-	-	S	S	S
Sliding window with bling and flyscreen on the cell door	O	O	O	O	O	O	S	S	S
Cell door XL	-	S	-	S	-	-	S	S	S
Flyscreen on the cell door	O	O	O	O	O	O	S	S	S
Folded cab blinds	O	O	O	O	O	O	S	S	S
Bed with slatted frame and Evoluflex type high-density mattress	S	S	S	S	S	S	S	S	S
Rear bed dimensions	1920 x 1300	1920 x 1300	1940 x 800 (x2)	-	1900 x 1500	1900 x 1500	1900 x 1500	800 x 2000 (x2)	1900 x 1500
Front bed dimensions	1900 x 690	1900 x 800	1900 x 900	1900 x 1500	(O) 1900 x 1100	(O) 1900 x 1300	1850 x 1350	1850 x 1350	1850 x 1350
Front lounge converts to a bed with a telescopic table foot	O	O	O	S	O	O	-	-	-
Dimmer (living room only)	-	-	-	-	-	-	S	S	S
Drop-down bed for 2 persons with slatted frame	-	-	-	S	O	O	S	S	S
Rigid bedroom partition	-	-	-	-	S	S	S	S	S
Curtain bedroom partition	-	S	S	-	-	-	-	-	-
TV bracket	1	1	1	1	1	1	1	1	1
Wardrobe	1	1	1	2	2	2	2	2	2
Storage compartment under the bed	S	S	S	-	S	S	S	S	S
Inside storage compartment in the double floor	-	-	-	-	-	-	S	S	S
Electric stepladder	-	-	-	-	-	-	S	S	S
Skylight with blind and flyscreen	S	S	S	S	S	S	S	S	S
Garage doors (in cm)	H41 x L70	H41 x L95	H100 x L70 H60 x L61	H114 x L55 H68 x L63	H80 x L70 H68 x L63	H114 x L70 H68 x L63	H95 x L79 H80 x L85	H114 x L79 H95 x L79	H114 x L79 H95 x L79
Garage storage volume (in liters)	700	900	2000	2000	(O) 1700 / 2100	1800 to 2200	(O) 2300 / 2700	3100	2300 to 2700
Electrical bed adjustment	-	-	-	S	O	S	O	-	S
POP : Lift roof	-	O	-	-	-	-	-	-	-
Under-floor garage compartment in polyester	-	-	S	S	S	S	S	S	S
Body work in polyester	S	S	S	S	S	S	S	S	S
Styrofoam insulation, 30 mm thick ceiling and floor side	S	S	S	S	S	S	S	S	S
Sturdy wood/composite structure	S	S	S	S	S	S	S	S	S
Under floor with polyester Protect System	S	S	S	S	S	S	S	S	S
Polyester skin on the roof with greater resistance to bad weather	S	S	S	S	S	S	S	S	S
Roof deck	O	O	O	O	O	O	S	S	S
2 points safety belt	-	1	-	-	1	-	1 depending on the configuration	-	-
Height-adjustable 3-point safety belts	2	1	2	2	1	1 / 2 depending on the configuration	1	1 / 2 depending on the configuration	1 / 2 depending on the configuration

CUSTOMIZING MY INTERIOR

has never been so easy...



Because your second home should be as comfortable as your first, we offer you resolutely modern and fashionable style, placing your comfort first.

By choosing the fabric for your bench seats and cushions, you can create a cocooning atmosphere, in your style.



BEIGE & DAMAS



GREY & PERLE



BEIGE & ETNA



BEIGE & STARLIGHT

14 POSSIBLE COMBINATIONS

FOR A STYLE THAT RESEMBLES YOU, ALWAYS WITH CLASS!

1 Choose the seating and cushion fabric



2 Choose the seat back fabric



YOU CAN ALSO CHOOSE LEATHER FOR YOUR LIVING ROOM**

Ivory-Taupe Emocuir

Ivory Emocuir



Ivory 100% full-grain leather



** Option

ESPINASSOU UPHOLSTERY

Only available for models: Mayflower 70 LMF and 74 LMF, Wincester 71 LMF, 74 LJG and 75 LMF.



COMFORT AND DESIGN

for your daily well-being.



TOUCHSCREEN-CONTROLLED HEATING FOR YOUR MOTORHOME

Touch screen-controlled heating for your motorhome Truma Combi Heating owes its success to the fact that it is compact, effective and reliable. It combines hot water and heating in a single piece of equipment. Every year, Truma redevelops its systems to remain the most innovative brand in Germany.

- Operates on gas and electricity (as an optional extra*).
- Air and water are heated with 97% efficiency using 1800W electric resistance heating.
- Collision sensor that cuts the gas in the event of an accident.
- Exists in two systems, Combi 4 E (4000 W), Combi 6 E (6900 W). The Truma EH makes it possible to use the heating on 220V.

*This season, this is provided as standard on the Millennium models, Mayflower 70LMF/74LMF and Wincester 71LMF/74LJG/75LMF.

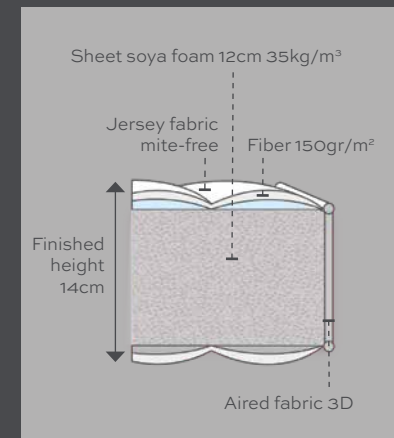


LUXURY BEDDING

Sleep is essential to your health and wellbeing, which is why we want you to be as comfortable as possible. All of our mattresses are made from 35kg/m³ density soy-based Evulflex foam and sit on a slat base.

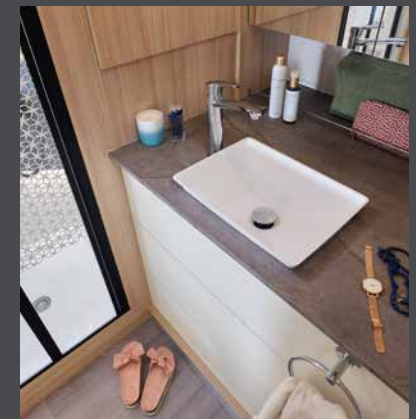
BENEFITS :

- 12 cm highly durable foam panel
- 150 g/m² hypoallergenic fibre padding
- anti-acarid jersey equipment on both sides of the bed
- adapts to your morphology



STUNNING FURNITURE

with spacious integrated storage solutions



CHOOSE the MOTORHOME that resembles you

COMPACT LOW-PROFILES

HxL : 2,70 M** x 2,23 M

BAXTER **MIGRATEUR**

SPACIOUS LOW-PROFILES

HxL : 2,78 M**/2,82 M (MAYFLOWER MILLENIUM) X 2,30 M

MAYFLOWER **MAGISTER**

≤ 6,00 M

60 LG
P.10 / P.18



5,99 m



≤ 6,50 M

64 LDF*
P.10 / P.18



6,47 m



≤ 7,00 M

65 LJG
STORAGE SPACE
P.10 / P.18



6,59 m



67 LO
STORAGE SPACE
P.12 / P.20



6,77 m



70 LMF

Millenium edition on Mayflower
Electric drop-down bed (optional extra)
P.12 / P.20 / P.24



6,97 m



≤ 7,50 M

74 LMF

Millenium edition on Mayflower
Electric drop-down bed (optional extra)



P.12 / P.20 / P.24



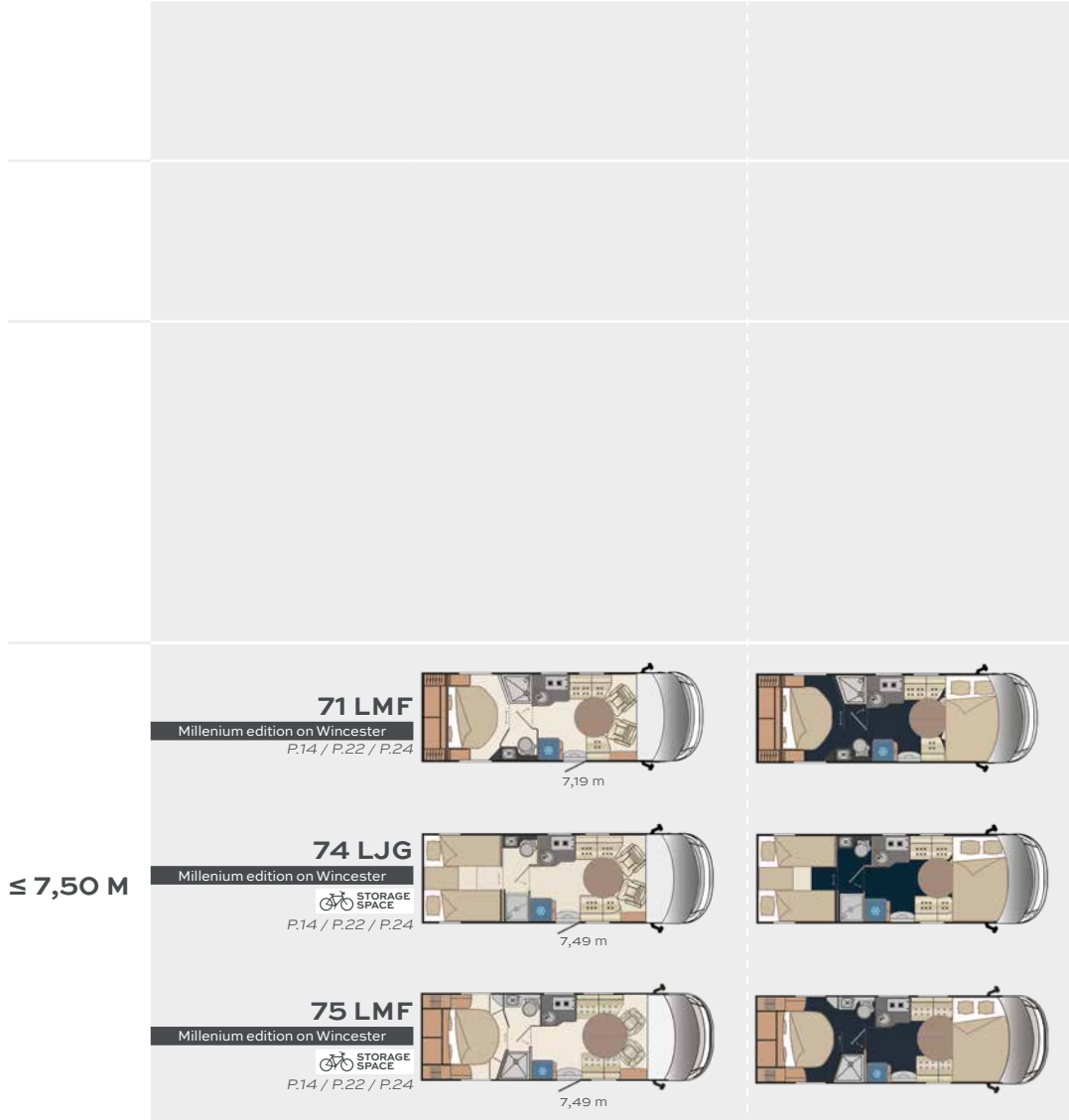
7,38 m



PREMIUM A-CLASSES

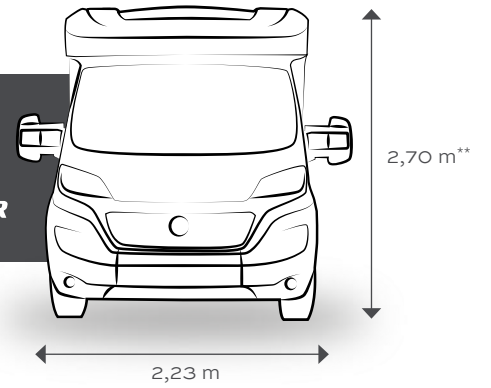
HxL : 2,88 M*** x 2,30 M

WINCESTER **DISCOVER**



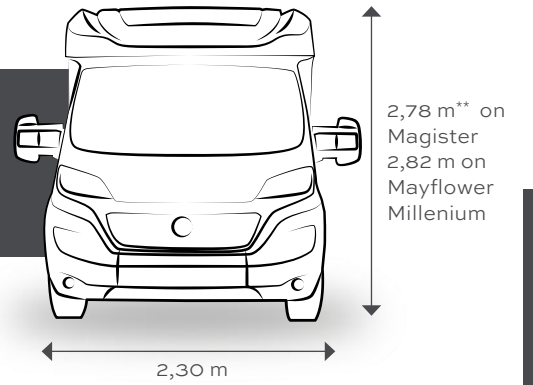
COMPACT LOW-PROFILES

BAXTER **MIGRATEUR**



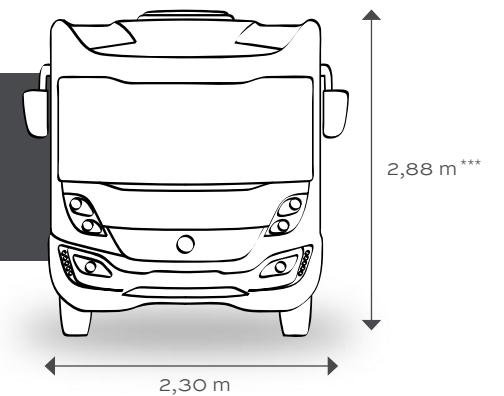
SPACIOUS LOW-PROFILES

MAYFLOWER **MAGISTER**



PREMIUM A-CLASSES

WINCESTER **DISCOVER**



*Increased height with the pop-up roof option (POP)
**With 15" rims, excluding fittings
***Excluding fittings

OUR PARTNER DEALERS

IN FRANCE:

- 06 Mistral Camping-Cars
- 11 TPL Narbonne
- 13 TPL Aubagne
- 14 Horizon Caen
- 16 Remy Frères
- 17 L.D.L La Rochelle
- 18 Solyne
- 22 Jacqueline Flénée Jugon
- 24 Passion Camping-cars
- 26 Andrieux Camping-Cars
- 27 Horizon Evreux
- 29 Bonjour Caravaning
- 30 TPL Nîmes
- 31 TPL Toulouse
- 33 Horizon Bordeaux
- 33 Horizon Peujard
- 34 TPL Montpellier
- 35 YPOCAMP Ouest Evasion
- 37 Camping-Cars de Touraine
- 38 Alpes Evasion 38
- 39 Juraloisir
- 40 YPOCAMP Loisirs 40
- 42 Loisirs Concept
- 43 Velay loisirs
- 44 Cap Nord
- 44 Caravaning Central Nantes
- 45 3CF Camping-Car Centre France
- 47 Loisureo Agen
- 50 Sosson Evasion
- 56 SLC 56
- 59 Lestringuez Seclin
- 59 Lestringuez Beauvois-en-Cambresis
- 60 CLC Wattellier Loisirs
- 62 Caravan'Or Béthunes
- 63 Evasion 63
- 65 ABC Idylcar Tarbes
- 67 Loisirs Camping-Cars
- 69 Camping-Car 69
- 72 Camping-cars du Mans
- 74 Isacar Loisirs
- 76 Caravane Service Jousse
- 80 Brousse Loisirs
- 83 Var Camping-cars
- 84 TPL Sorgues
- 85 L.D.L Benet
- 85 L.D.L La Roche-sur-Yon
- 86 Vienne Aventure
- 88 Camping-cars Plus

ABROAD:

- Germany LA MARCA Landsberg am Lech
- Germany REISEMOBILE HARTMANN Lünen
- Belgium CAMPERDISIAC Manage
- Belgium CTM MOTORHOMES Maldegem
- Belgium CTM MOTORHOMES Berlaar
- Spain NAUTICARAVAN San Boi de Llobregat
- Spain AUTOCARAVANAS BURGOS Burgos
- Spain NAUTICARAVAN-ORLYCARAVAN Barcelone
- United Kingdom WANDAHOME SOUTH CAVE South Cave
- Switzerland GARAGE DU CHATEAU Cornaux



EXCELLENT SERVICE QUALITY

for purchases made with complete peace of mind

FLEURETTE ASSISTANCE:

SERVICES
FREE-OF-CHARGE
FOR THE FIRST
YEAR

24 hours a day, 7 days a week, in France, abroad or at home, a team of trained on-line motorhome troubleshooting and assistance engineers are available to reassure you and assist you whatever happens.

Services free-of-charge in the 1st year for all new Fleurette* and Florium* motorhomes

*After 12 months, you will be asked if you wish to continue the service For more information, contact +33 3 29 29 85 85

To find out more about our assistance service, visit www.fleurette-florium.fr/en

WARRANTY AND SERVICES:

WATER-TIGHTNESS WARRANTY 5 YEARS
INCLUDING 3 YEARS WITHOUT FOLLOW-UP INSPECTION

All the materials in contact with the exterior are rot-resistant and create a watertight shield that enables us to offer you a 5-year watertightness warranty, including 3 years without follow-up inspection. To ensure that this guarantee is as effective as possible during these 5 years, a watertightness check will be requested at the start of the 4th and 5th year.

YOUR
FINANCIAL
PARTNER



STAY IN CONTACT



FLEURETTE
CONSTRUCTEUR

www.fleurette-florium.fr/en

www.fleurette-constructeur.fr



Some models presented in this catalogue may be shown with optional equipment. Non-contractual photos: stylistic elements, décor and accessories not included. Since part of FLEURETTE CONSTRUCTEUR production is intended for export, the technical characteristics of the models may vary from one country to another; for an exact definition of the models marketed, please consult your dealer. FLEURETTE CONSTRUCTEUR reserves the right to make modifications to its models without notice. Despite the care taken in the production of this catalogue, it cannot be taken as a contractual document.